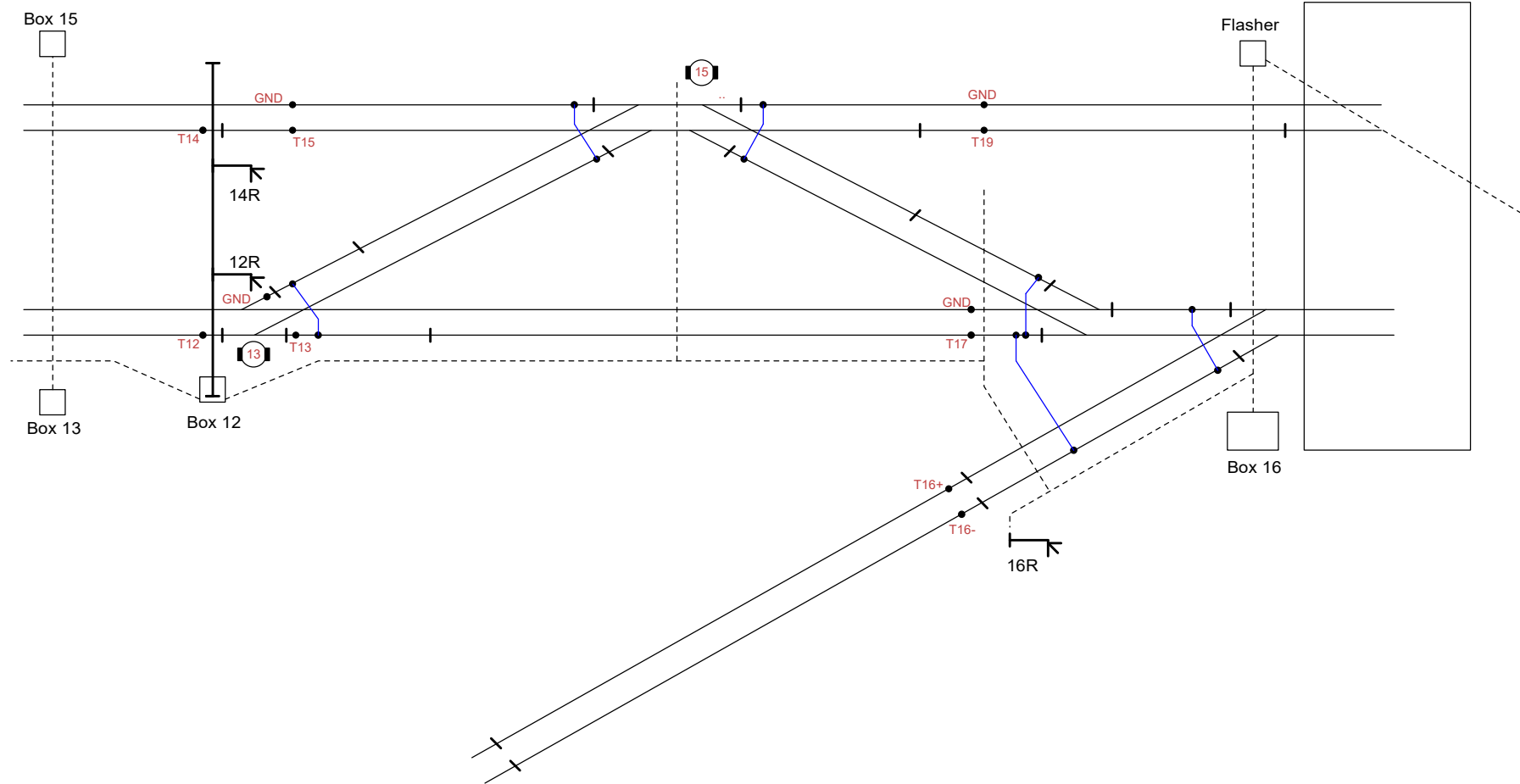
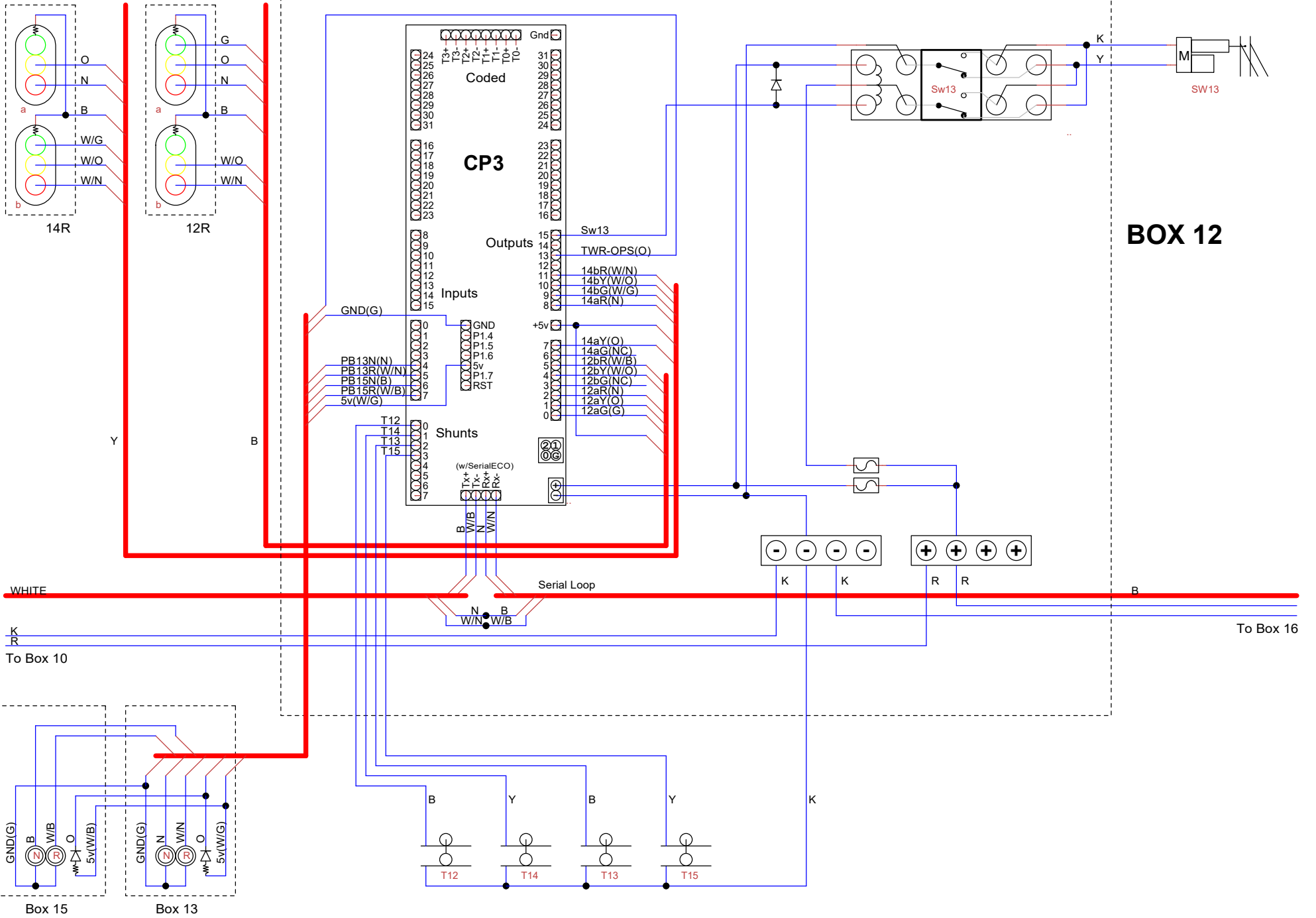
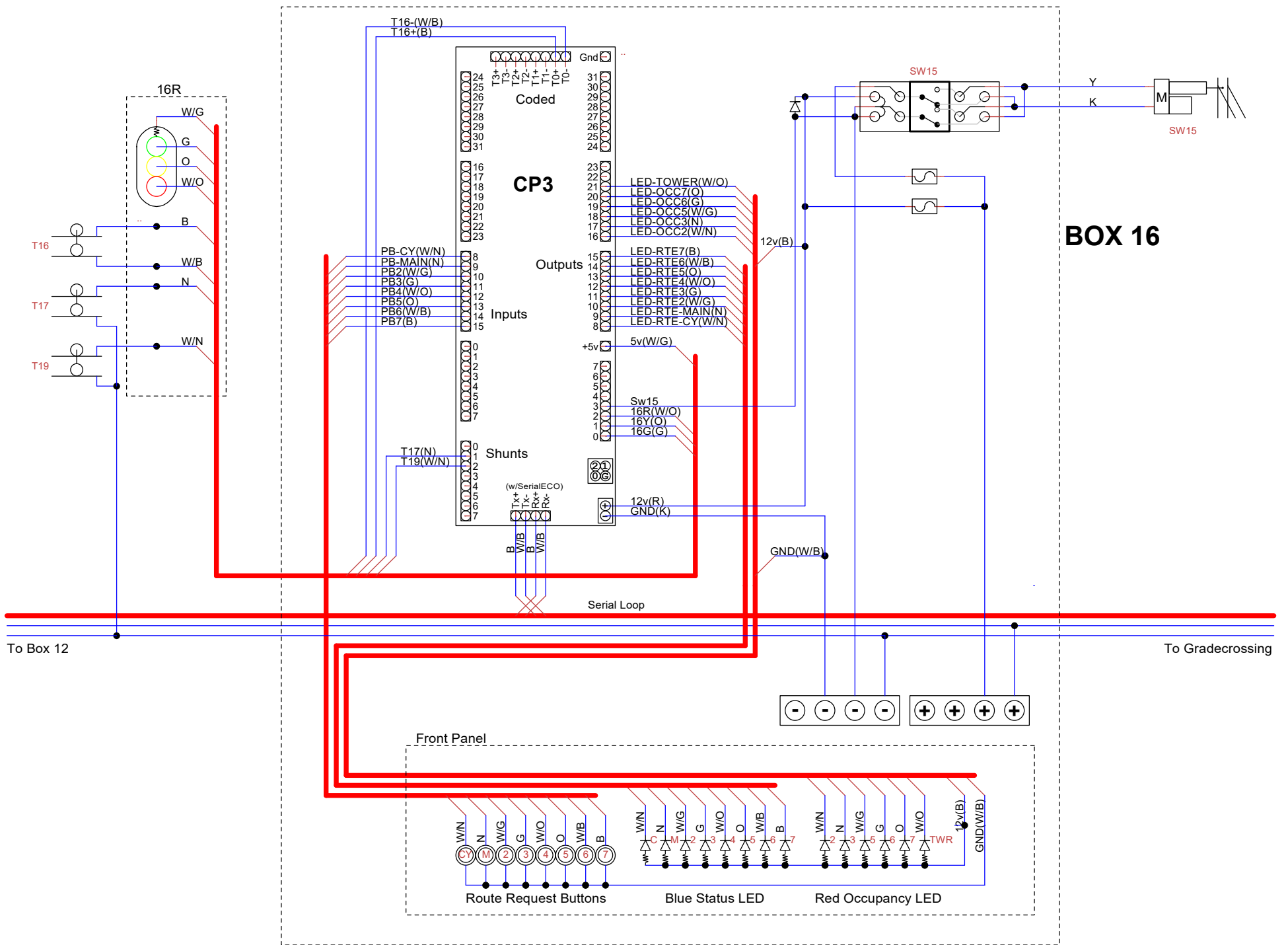


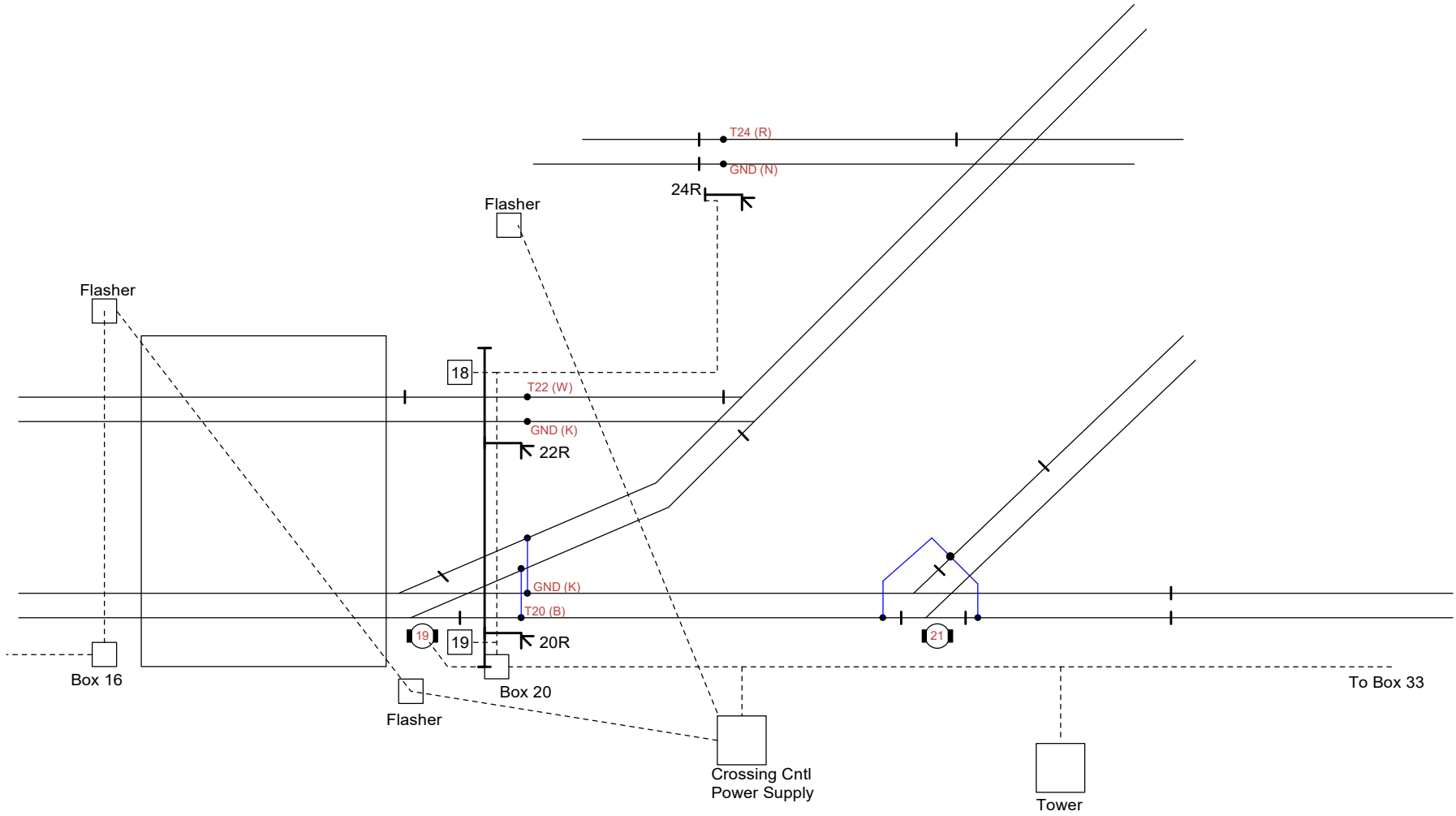
Note:
W/G conductor failed
5/2022 in CAT5
between Griswold and
Box 10. W/B spare
conductor used for T2

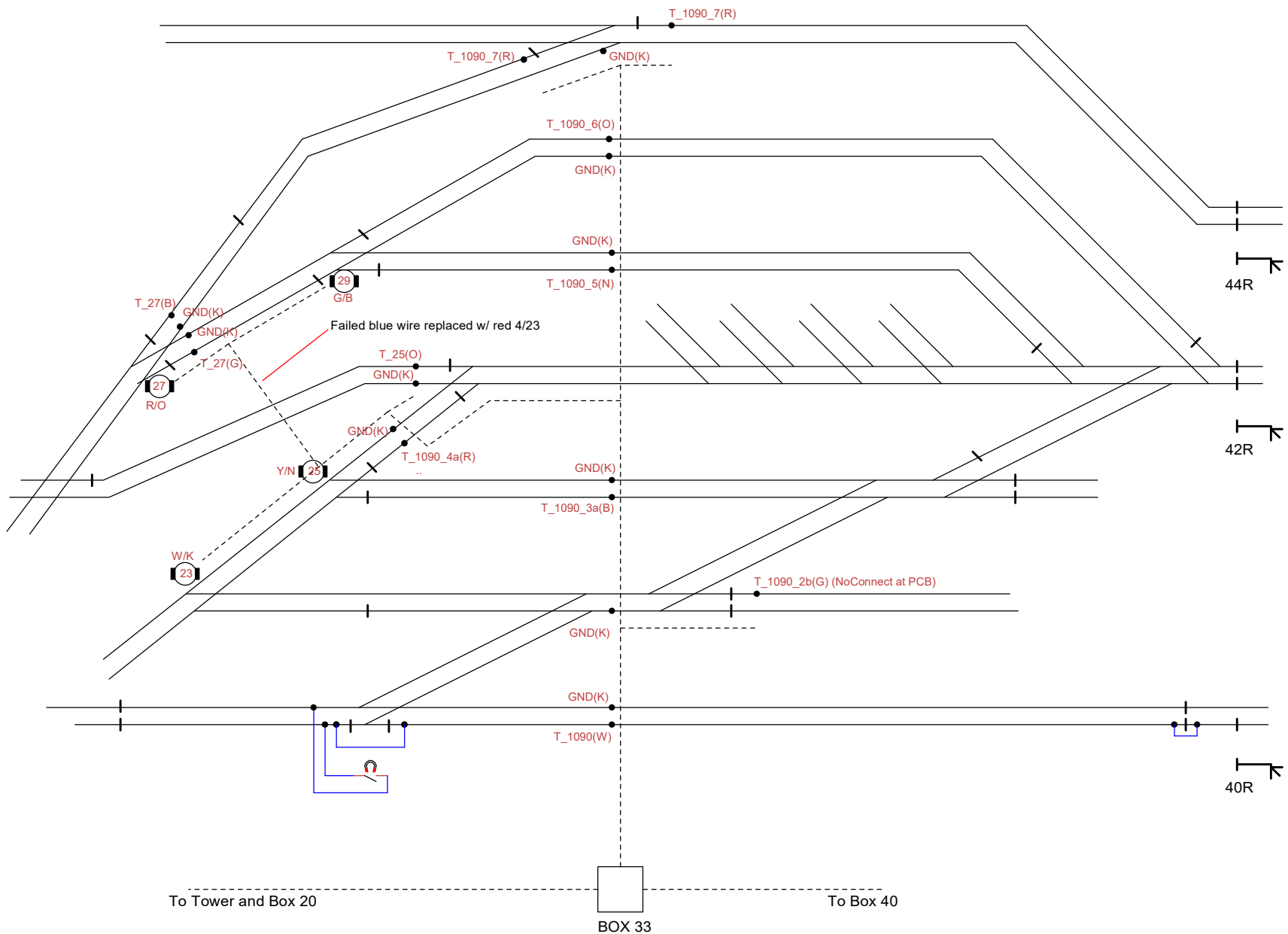


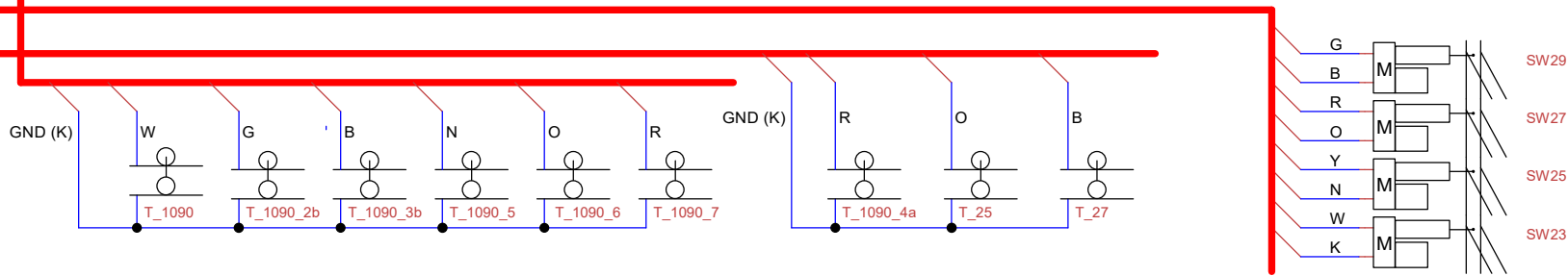
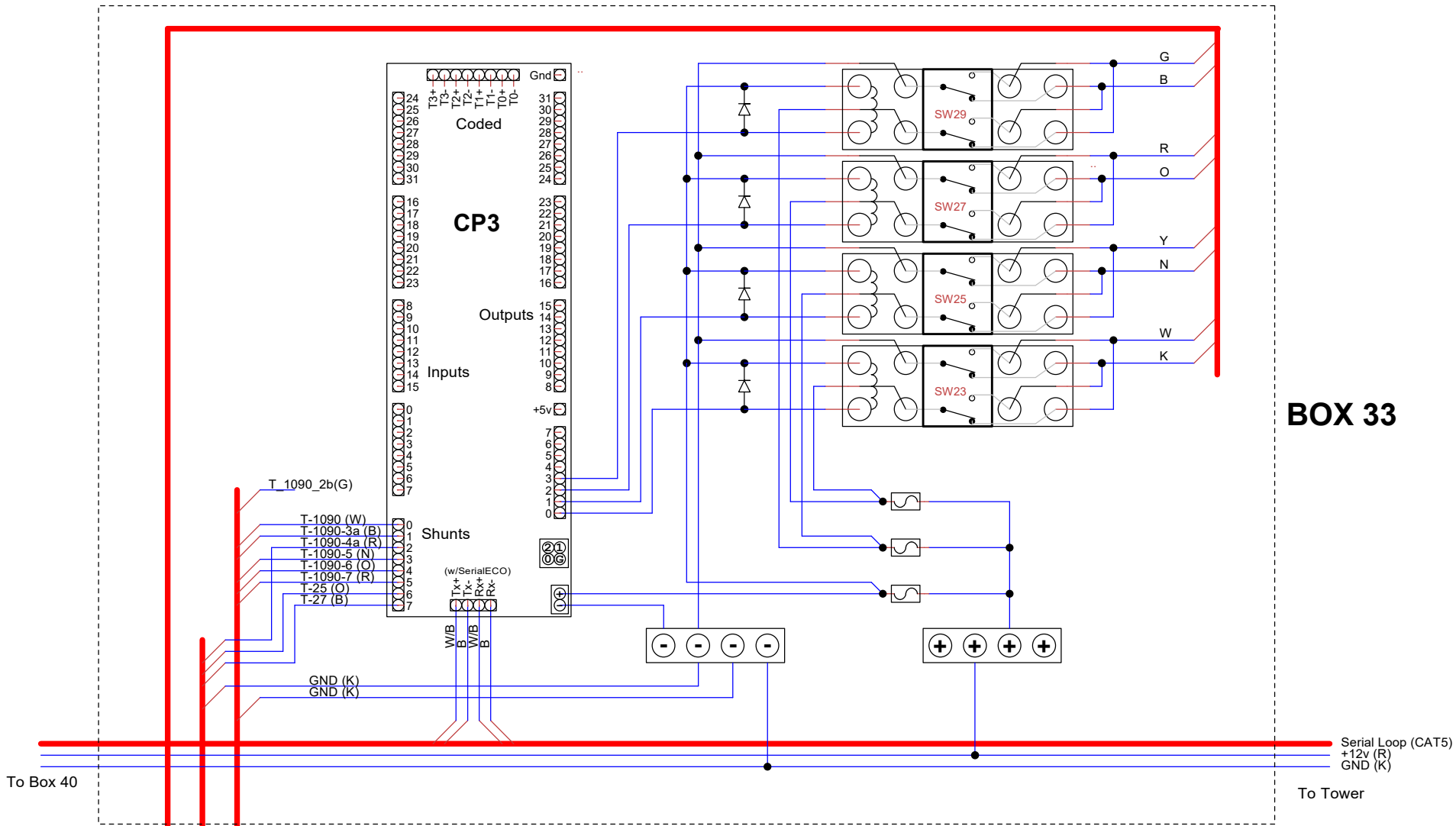


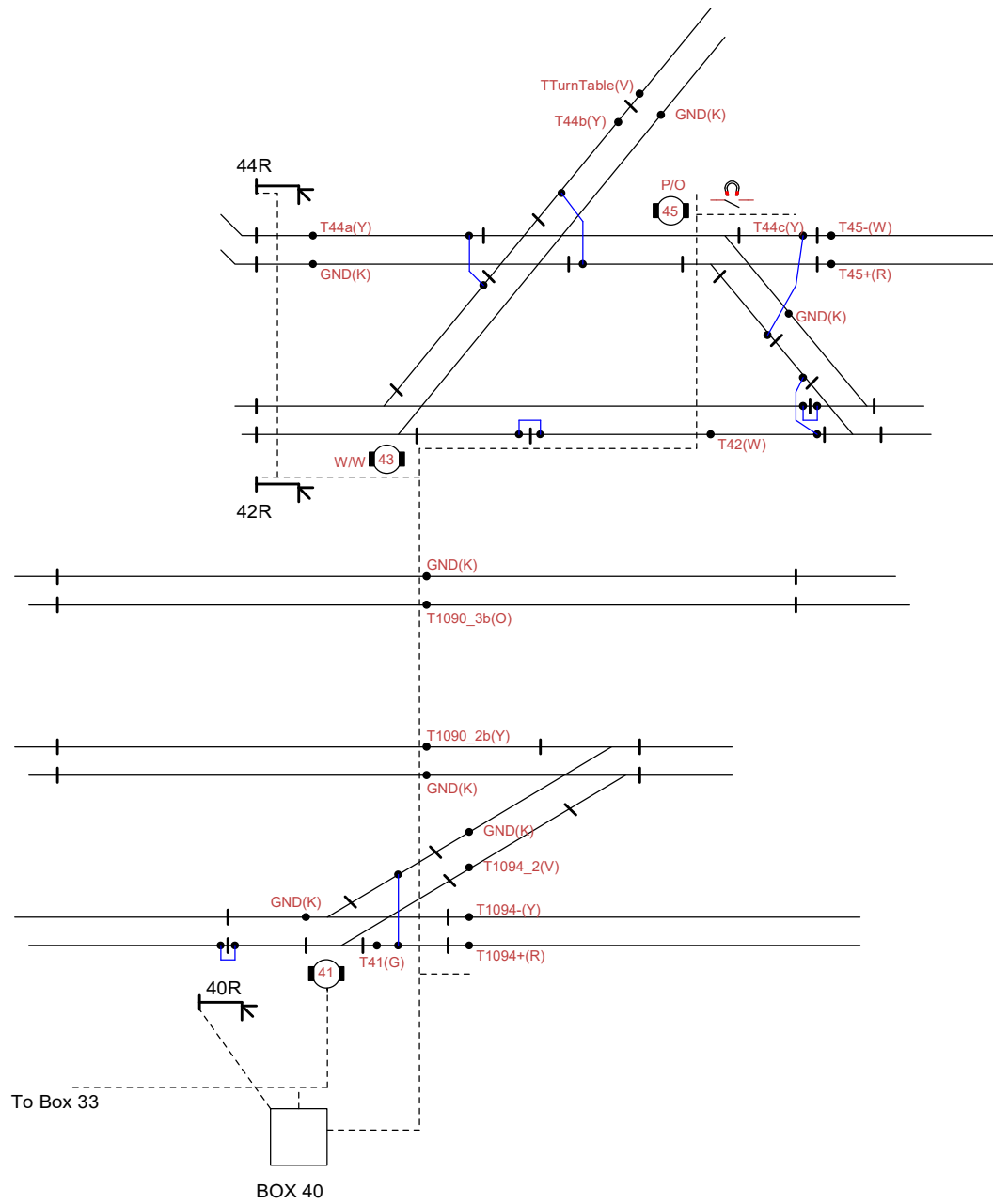
BOX 12



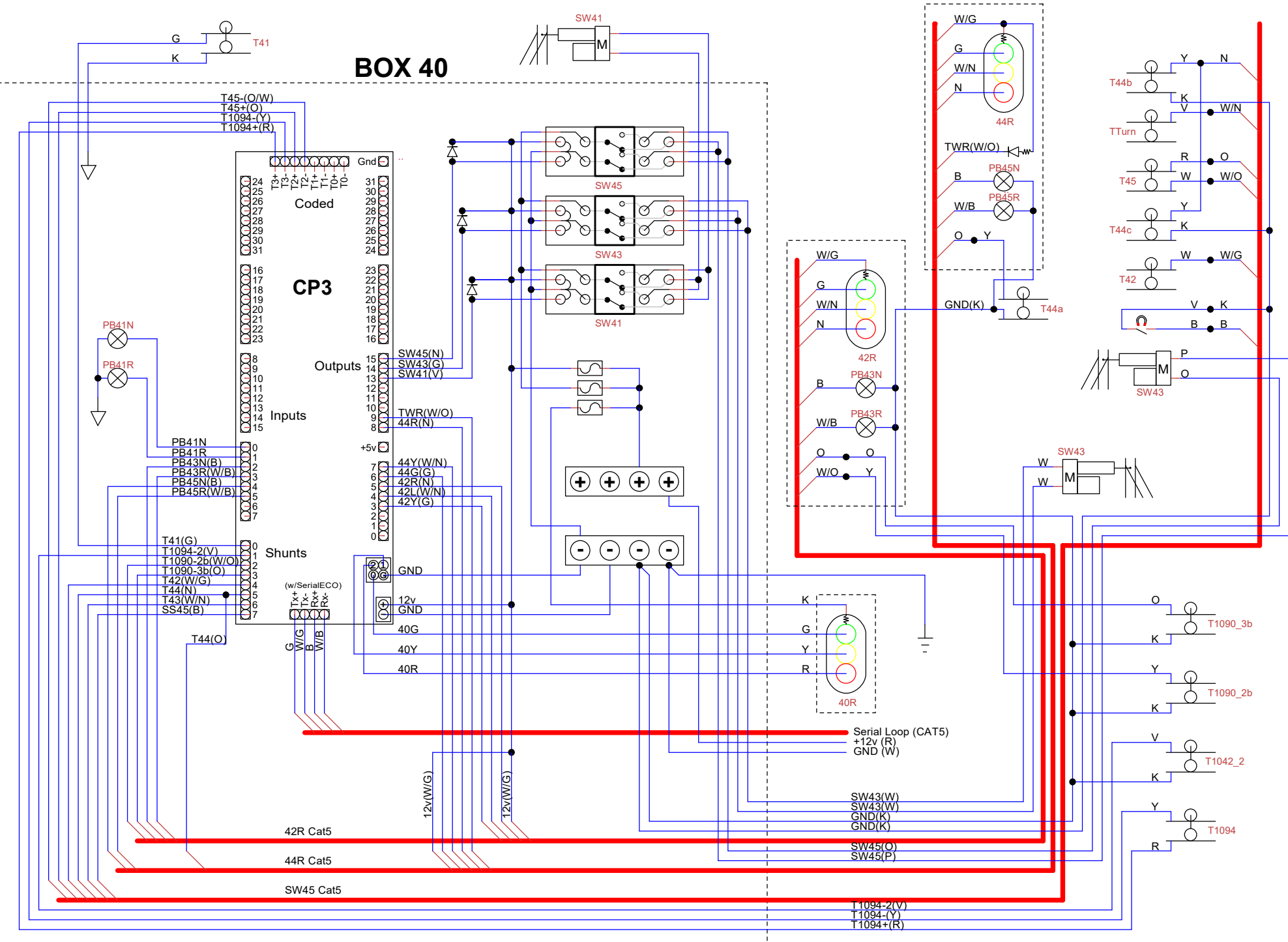








BOX 40



T45-(O/W)
T45+(O)
T1094-(Y)
T1094+(R)

24 31
25 30
26 29
27 28
28 27
29 26
30 25
31 24

Coded

16 23
17 22
18 21
19 20
20 19
21 18
22 17
23 16

CP3

15 15
14 14
13 13
12 12
11 11
10 10
9 9
8 8

Outputs

0 15
1 14
2 13
3 12
4 11
5 10
6 9
7 8

Inputs

0 7
1 6
2 5
3 4
4 3
5 2
6 1
7 0

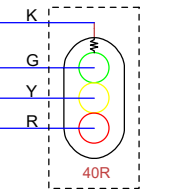
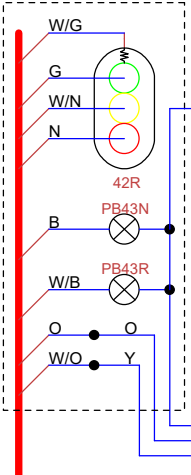
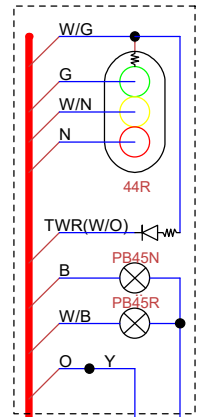
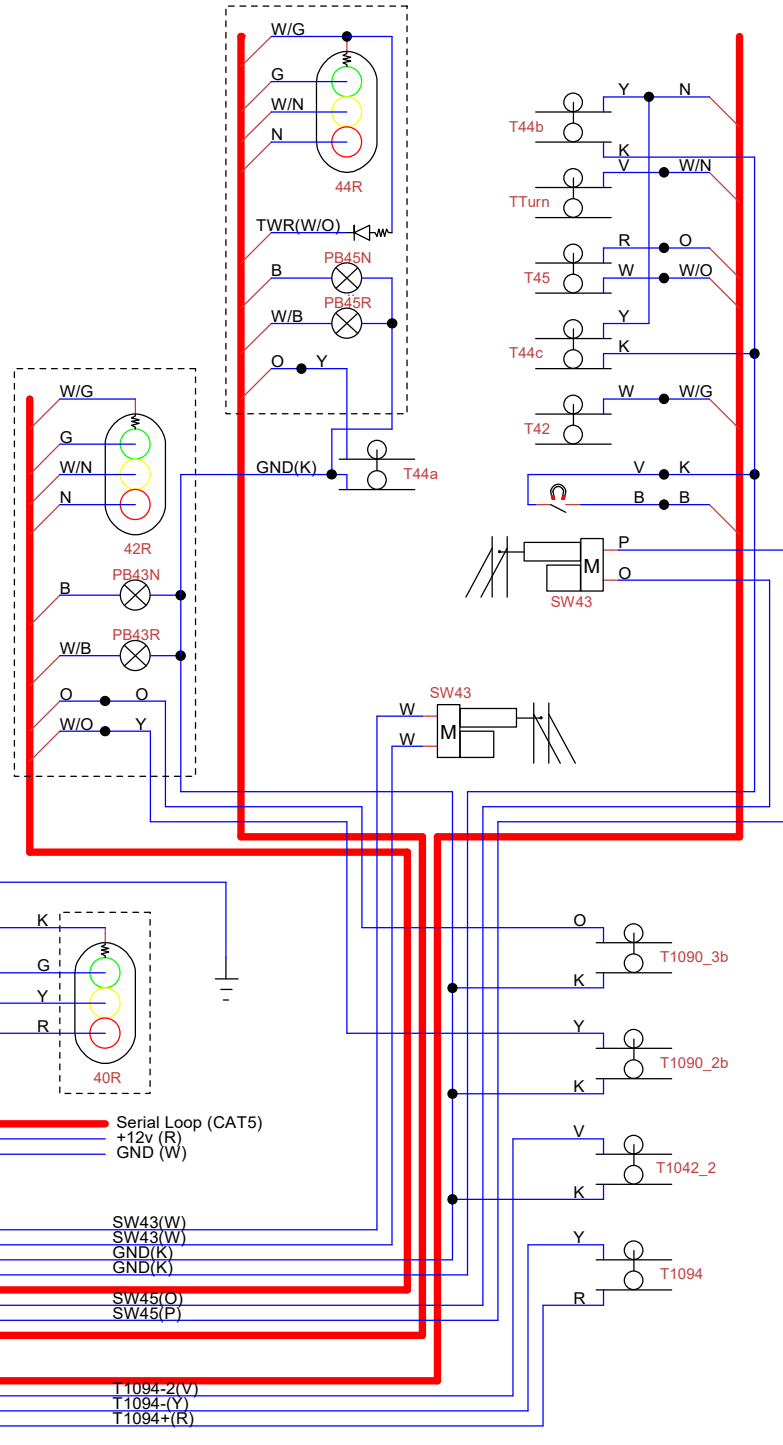
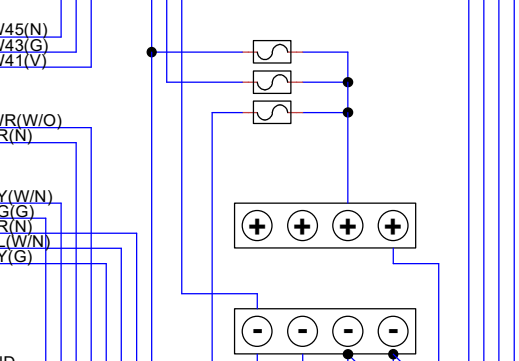
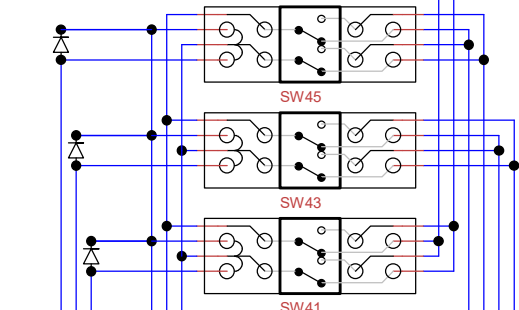
Shunts

0 0
1 1
2 2
3 3
4 4
5 5
6 6
7 7

(w/SerialECO)
Tx+ Tx- Rx+ Rx-
GND

0 12v
1 GND
2 40G
3 40Y
4 40R

0 12v(W/G)
1 12v(W/G)



Serial Loop (CAT5)
+12v (R)
GND (W)

SW43(W)
SW43(W)
GND(K)
GND(K)

SW45(O)
SW45(P)

T1094-2(V)
T1094-(Y)
T1094+(R)

Serial Port Loop

